

# MODEL 5SP SERIES DIRECT-DRIVE PUMPS



5SP30ELU

3 GPM | 3,000 PSI

5SP35ELU

3.5 GPM | 2,500 PSI

5SP40ELU

4 GPM | 2,000 PSI



## Compact Direct-Drive Pumps

When it comes to getting the job done, customers rely on durable long-lasting products from Cat Pumps and the 5SP is no exception. Designed for continuous duty applications, the 5SP series pumps are built to keep equipment operating with long, dependable service.

### Available Configurations:

PART NUMBER EXAMPLE: **5SP**[xx]**EL**[x][x]

5SP	[xxx]	E	L	[x]	[x]	[x]
Base 5SP Model	30 = 3.0 gpm	E = 182/184TC Mount	L = 1750 rpm Maximum	R = Regulator	I = Injector	F = Garden Hose Inlet Fitting
	35 = 3.5 gpm			U = Unloader		
	40 = 4.0 gpm					

### Features:

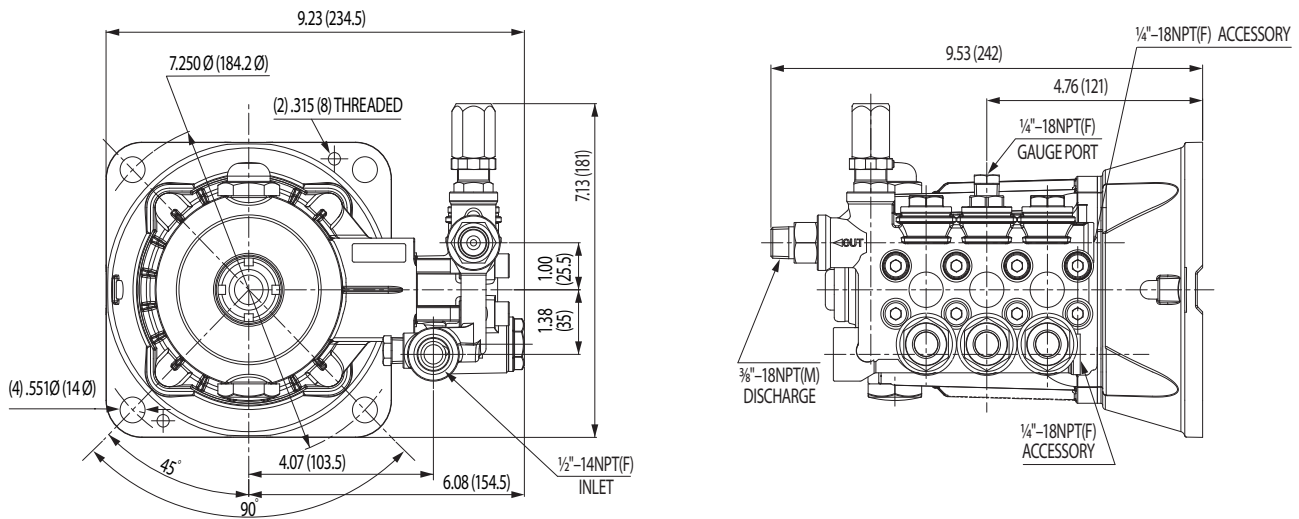
- Ease of assembly reduces time and labor costs.
- Compact direct mounting minimizes space requirement.
- Integral pressure control valve with built-in bypass provides maximum uptime and ease-of-service with standard tools.
- Multiple ports allow for a variety of accessories.
- Available as pump only or as pump and motor assembly.

### Typical Applications:

- Pressure Cleaning
- Wash-Down Systems
- Hydrostatic Testing
- Restroom Service Trucks
- Odor Control

	5SP30ELU	5SP35ELU	5SP40ELU
<b>Flow</b>	3 gpm	3.5 gpm	4 gpm
<b>Pressure</b>	3000 psi	2500 psi	2000 psi
<b>RPM</b>	1750 rpm	1750 rpm	1750 rpm
<b>Inlet Pressure Range</b>	Flooded to 60 psi	Flooded to 60 psi	Flooded to 60 psi
<b>Max Liquid Temperature</b>	140° F	140° F	140° F
<b>Inlet Port</b>	½" NPT(F)	½" NPT(F)	½" NPT(F)
<b>Discharge Port</b>	¾" NPT(M)	¾" NPT(M)	¾" NPT(M)
<b>Accessory Ports (Discharge [2], Inlet [1])</b>	¼" NPT(F)	¼" NPT(F)	¼" NPT(F)
<b>Weight</b>	13.2 lbs	13.2 lbs	13.2 lbs
<b>Dimensions</b>	9.53 x 9.53 x 7.13"	9.53 x 9.53 x 7.13"	9.53 x 9.53 x 7.13"

## Dimensions



## Popular Accessories



### Pop-Off Valve

PN 33962  
Up to 6 gpm  
Up to 4,000 psi



### Thermal Valve

PN 7143  
¼" NPT(M)  
165° F



### Pressure Gauge

PN 6089  
0–6,000 psi



### Inlet Strainer

PN 7104.4  
½" NPT(F)  
10 gpm Max



### Oil

PN 6107  
21 oz. Bottle  
Specially formulated  
forextended protection.

Contact Cat Pumps for more information at [info@catpumps.com](mailto:info@catpumps.com) or (763) 780-5440



### CAT PUMPS

1681 – 94TH LANE N.E. MINNEAPOLIS, MN 55449-4324  
PHONE (763) 780-5440 — FAX (763) 780-2958  
[info@catpumps.com](mailto:info@catpumps.com) | [www.catpumps.com](http://www.catpumps.com)